

LED Component

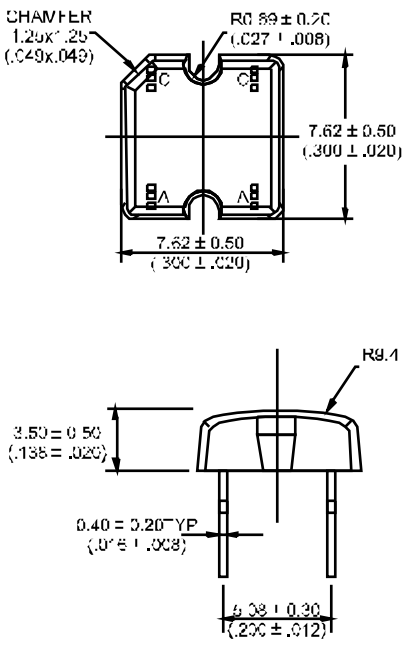
SUPER FLUX LED LAMP

Part No	Emit Color	λ P (nm)	Lens Type	Iv(mcd)		Viewing Angle 201/2	Drawing
				Min	Typ.		

7.62*7.62*3.5MM, flat round top, SUPER FLUX LED LAMP

Part No	Emit Color	λ P (nm)	Water	Clear	Min Iv (mcd)	Typ Iv (mcd)	Viewing Angle
BL-F-760RURC	Ultra Red	660	Water	Clear	600	1000	160
BL-F-760RUEC	Ultra Orange	630			800	1500	
BL-F-760RUYC	Ultra Yellow	590			600	1300	
BL-F-760RUGC	Ultra Green	574			200	700	
BL-F-760RPGC	Ultra Pure Green	525			1000	5000	
BL-F-760RBGC	Ultra Bluish Green	535			800	4000	
BL-F-760RUBC	Ultra Blue	470			800	2000	
BL-F-760RUWC	Ultra White	/			1000	5000	

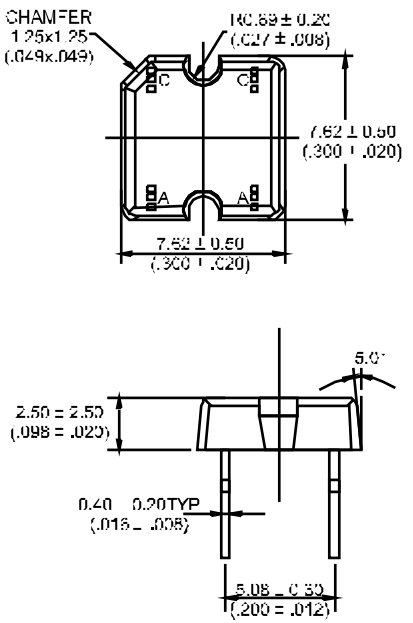
BL-FL760Rxx



7.62*7.62*2.5MM, flat top, SUPER FLUX LED LAMP

Part No	Emit Color	λ P (nm)	Water	Clear	Min Iv (mcd)	Typ Iv (mcd)	Viewing Angle
BL-FL760RURC	Ultra Red	660	Water	Clear	600	1000	100
BL-FL760RUEC	Ultra Orange	630			800	1500	
BL-FL760RUYC	Ultra Yellow	590			600	1300	
BL-FL760RUGC	Ultra Green	574			200	700	
BL-FL760RPGC	Ultra Pure Green	525			1000	5000	
BL-FL760RBGC	Ultra Bluish Green	535			800	4000	
BL-FL760RUBC	Ultra Blue	470			800	2000	
BL-FL760RUWC	Ultra White	/			1000	5000	

BL-FL7600xx



All dimensions are in millimeters (inches)
Tolerance is ±0.25(0.01") unless otherwise noted.
Specifications are subject to change without notice.

LED Component

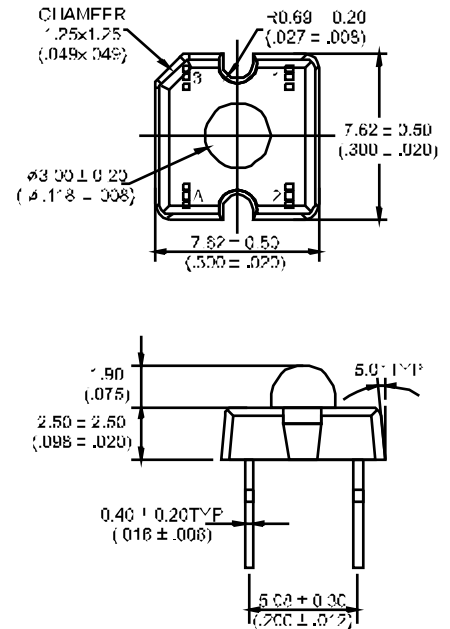
SUPER FLUX LED LAMP

Part No	Emit Color	λ P (nm)	Lens Type	Iv(mcd)		Viewing Angle 201/2	Drawing
				Min	Typ.		

7.62*7.62*5.0MM, 5mm high power, SUPER FLUX LED LAMP

Part No	Emit Color	λ P (nm)	Lens Type	Iv(mcd) Min	Iv(mcd) Typ.	Viewing Angle
BL-FL7615JRC	Ultra Red	660	Water	1000	3000	100
BL-FL7615JFC	Ultra Orange	630		2500	4500	
BL-FL7615JYC	Ultra Yellow	590	2000	1200		
BL-FL7615JGC	Ultra Green	574	600	2100		
BL-FL7615PGC	Ultra Pure Green	525	3000	15000		
BL-FL7615BGC	Ultra Bluish Green	505	2400	12000		
BL-FL7615JBC	Ultra Blue	470	2400	6000		
BL-FL7615JWC	Ultra White	/	3000	12000		

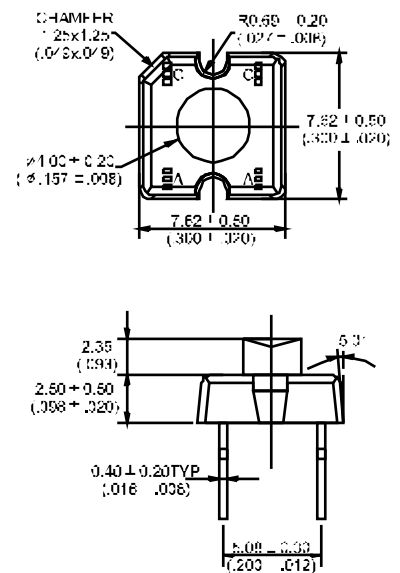
BL-FL7615



7.62*7.62*4.0MM, 4MM Cylindrical, Inverted Cone SUPER FLUX LED LAMP

Part No	Emit Color	λ P (nm)	Lens Type	Iv(mcd) Min	Iv(mcd) Typ.	Viewing Angle
BL-F_7644LRC	Ultra Red	660	Water	200	500	140
BL-F_7644LEC	Ultra Orange	630		180	900	
BL-F_7644LYC	Ultra Yellow	590	300	900		
BL-F_7644LGC	Ultra Green	574	400	700		
BL-F_7644PGC	Ultra Pure Green	525	500	3000		
BL-F_7644BGC	Ultra Bluish Green	505	500	2800		
BL-F_7644LBC	Ultra Blue	470	500	3000		
BL-F_7644LWC	Ultra White	/	500	3000		

BL-FL7644xx



LED Component

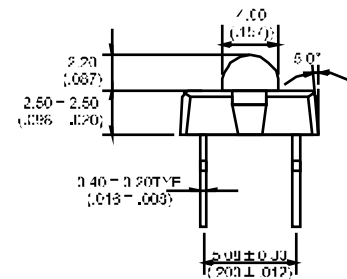
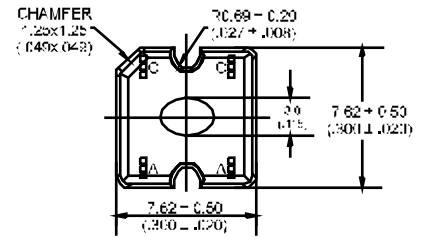
SUPER FLUX LED LAMP

Part No	Emit Color	λ P (nm)	Lens Type	Iv(mcd)		Viewing Angle 201/2	Drawing
				Min	Typ.		

7.62*7.62*4.7MM, 3MM Elliptical head SUPER FLUX LED LAMP

Part No	Emit Color	λ P (nm)	Lens Type	Iv (mcd) Min	Iv (mcd) Typ.	Viewing Angle
BL-FL7653URC	Ultra Red	660	Water Clear	100	600	30/90
BL-FL7653URC	Ultra Orange	630		150	750	
BL-FL7653UYC	Ultra Yellow	590		200	800	
BL-FL7653UGC	Ultra Green	574		300	550	
BL-FL7653PGC	Ultra Pure Green	525		600	2800	
BL-FL7653BGC	Ultra Bluish Green	505		500	2500	
BL-FL7653UBC	Ultra Blue	470		500	2800	
BL-FL7653UWC	Ultra White	/		500	2500	

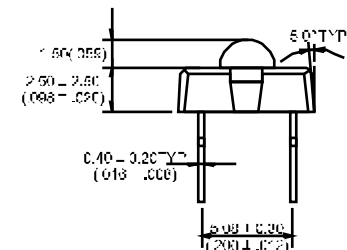
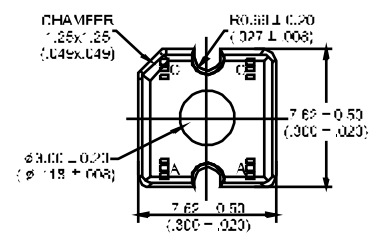
BL-FL7653xx



7.62*7.62*4.0MM, 3MM ROUND SUPER FLUX LED LAMP

Part No	Emit Color	λ P (nm)	Lens Type	Iv (mcd) Min	Iv (mcd) Typ.	Viewing Angle
BL-FL7660URC	Ultra Red	660	Water Clear	600	1000	75
BL-FL7660URC	Ultra Orange	630		800	1500	
BL-FL7660UYC	Ultra Yellow	590		600	1300	
BL-FL7660UGC	Ultra Green	574		200	700	
BL-FL7660PGC	Ultra Pure Green	525		1000	5000	
BL-FL7660BGC	Ultra Bluish Green	505		800	4000	
BL-FL7660UBC	Ultra Blue	470		800	2000	
BL-FL7660UVC	UV	405		180	220	
BL-FL7660UWC	Ultra White	/	1000	5000		

BL-FL7660xx



LED Component

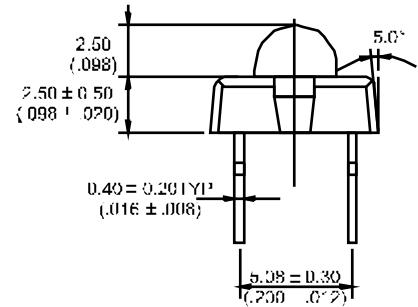
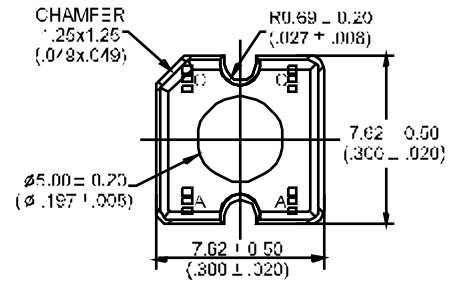
SUPER FLUX LED LAMP

Part No	Emit Color	λ P (nm)	Lens Type	Iv(mcd)		Viewing Angle 201/2	Drawing
				Min	Typ.		

7.62*7.62*5.0MM, 5MM ROUND SUPER FLUX LED LAMP

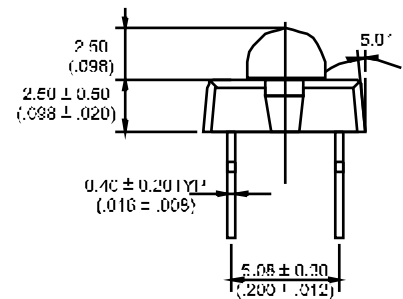
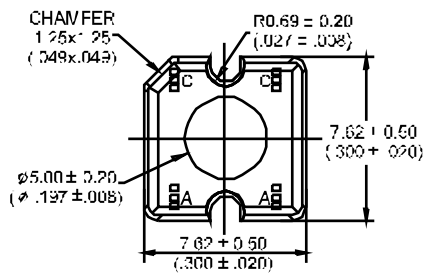
Part No	Emit Color	λ P (nm)	Lens Type	Iv(mcd) Min	Iv(mcd) Typ.	Viewing Angle
BL-FL7680URC	Ultra Red	660	Water	800	1500	100
BL-FL7680UEC	Ultra Orange	630		800	1800	
BL-FL7680UYC	Ultra Yellow	590	800	1600		
BL-FL7680UGC	Ultra Green	574	Clear	200	1000	
BL-FL7680PGC	Ultra Pure Green	525		1000	6000	
BL-FL7680BGC	Ultra Bluish Green	505	800	4800		
BL-FL7680UBC	Ultra Blue	470	800	5000		
BL-FL7680UWC	Ultra White	/	1000	6000		

BL-FL7680xx



7.62*7.62*5.0MM, 5MM ROUND SUPER FLUX LED LAMP, RGB type

Part No	Emit Color	λ P (nm)	Lens Type	Iv(mcd) Min	Iv(mcd) Typ.	Viewing Angle
BL-FL7680RGBPC	Ultra Orange	630	Water	250	400	80
	Ultra Pure Green	525		800	1200	
	Ultra Blue	470	250	400		



All dimensions are in millimeters (inches)
Tolerance is ±0.25(0.01") unless otherwise noted.
Specifications are subject to change without notice.