

# LED Component

## SMD LED LAMP

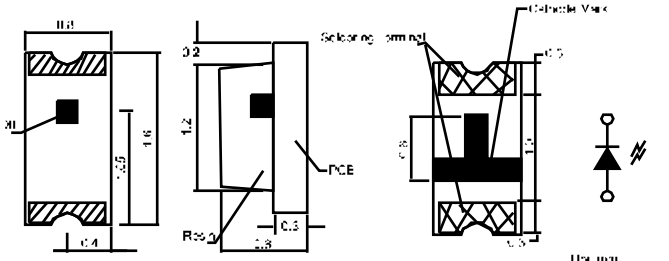
Part No	Emit Color	λ P (nm)	Lens Type	Iv(mcd)		Viewing Angle 201/2	Drawing
				Min	Typ.		

### 1.6mmx0.8mm SMD, 0.6mm THICKNESS

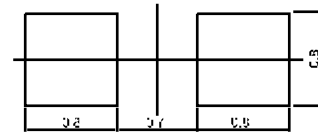
Part No	Emit Color	λ P (nm)	Water Clear	Min	Typ.	Viewing Angle
BL-LS0603LLDR	Ultra Red	655	Water Clear	17	55	130
BL-LS0603LLHR	Ultra Red	645		25	75	
BL-LS0603LLOR	Ultra Orange	630		20	70	
BL-LS0603LLHD	Ultra Orange	618		45	105	
BL-LS0603LLYO	Ultra Amber	610		25	75	
BL-LS0603LLYC	Ultra Yellow	593		20	65	
BL-LS0603LLGC	Ultra Green	575		10	35	
BL-LS0603LLPGC	Ultra Pure Green	525		50	100	
BL-LS0603LLBGC	Ultra Bluish Green	515		50	100	
BL-LS0603LLDNB	Blue	470		10	30	
BL-LS0603LLBC	Ultra Blue	470		10	25	
BL-LS0603LLWC	Ultra White			40	200	

### BL-LS0603L

#### Package Outline Drawing



#### Recommended Soldering Pad Dimensions

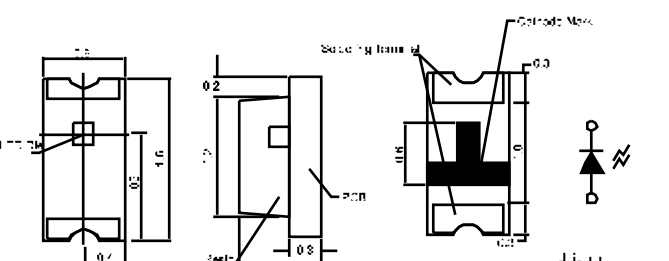


### 1.6mmx0.8mm SMD, 0.8mm THICKNESS

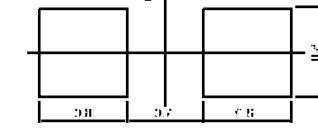
Part No	Emit Color	λ P (nm)	Water Clear	Min	Typ.	Viewing Angle
BL-LS0603UDR	Ultra Red	655	Water Clear	22	55	130
BL-LS0603UIR	Ultra Red	645		30	80	
BL-LS0603UOR	Ultra Orange	630		30	80	
BL-LS0603UHD	Ultra Orange	618		50	110	
BL-LS0603UYO	Ultra Amber	610		30	80	
BL-LS0603UYC	Ultra Yellow	593		25	70	
BL-LS0603UGC	Ultra Green	575		10	40	
BL-LS0603PGC	Ultra Pure Green	525		50	100	
BL-LS0603LGC	Ultra Bluish Green	515		50	110	
BL-LS0603DNB	Blue	470		10	33	
BL-LS0603UBC	Ultra Blue	470		10	30	
BL-LS0603UWC	Ultra White			40	200	

### BL-LS0603

#### Package Outline Drawing



#### Recommended Soldering Pad Dimensions

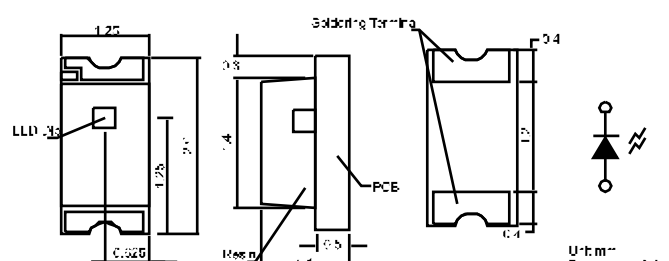


### 2.0mmx1.25mm SMD, 1.1mm THICKNESS

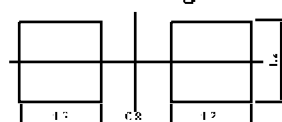
Part No	Emit Color	λ P (nm)	Water Clear	Min	Typ.	Viewing Angle
BL-LS0805HUR	Ultra Red	655	Water Clear	22	55	130
BL-LS0805HUR	Ultra Red	645		30	80	
BL-LS0805HUEC	Ultra Orange	630		30	70	
BL-LS0805HHD	Ultra Orange	618		50	110	
BL-LS0805HUYO	Ultra Amber	610		30	70	
BL-LS0805HUYC	Ultra Yellow	593		25	75	
BL-LS0805HUGC	Ultra Green	575		10	45	
BL-LS0805HPGC	Ultra Pure Green	525		50	100	
BL-LS0805HBGC	Ultra Bluish Green	515		50	110	
BL-LS0805HDNB	Blue	470		10	38	
BL-LS0805HURC	Ultra Blue	470		10	30	
BL-LS0805HUWC	Ultra White			40	210	

### BL-LS0805H

#### Package Outline Drawing



#### Recommended Soldering Pad Dimensions



All dimensions are in millimeters (inches)  
Tolerance is ±0.25(0.01") unless otherwise noted.  
Specifications are subject to change without notice.

# LED Component

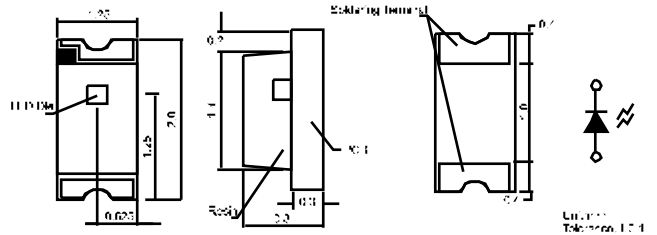
## SMD LED LAMP

Part No	Emit Color	λ P (nm)	Lens Type	Iv(mcd)		Viewing Angle 201/2	Drawing
				Min	Typ.		

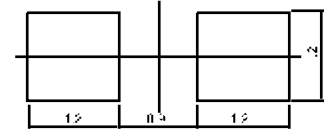
### 2.0mmx1.25mm SMD, 0.8mm THICKNESS

Part No	Emit Color	λ P (nm)	Water Clear	Min	Typ.	130
BL-LS0805UJR	Ultra Red	655		22	55	
BL-LS0805UIR	Ultra Red	645	30	80		
BL-LS0805UOC	Ultra Orange	630	30	70		
BL-LS0805UOD	Ultra Orange	618	50	110		
BL-LS0805UYG	Ultra Amber	610	30	70		
BL-LS0805UYC	Ultra Yellow	593	25	75		
BL-LS0805UGC	Ultra Green	575	10	45		
BL-LS0805PGC	Ultra Pure Green	525	50	100		
BL-LS0805HGC	Ultra Bluish Green	515	50	110		
BL-LS0805DNB	Blue	470	10	38		
BL-LS0805UBC	Ultra Blue	470	10	30		
BL-LS0805UWC	Ultra White		40	200		

### BL-LS0805 Package Outline Drawing



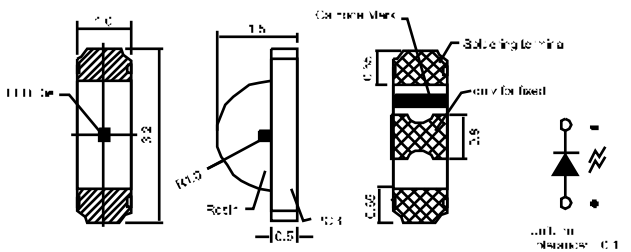
### Recommended Soldering Pad Dimensions



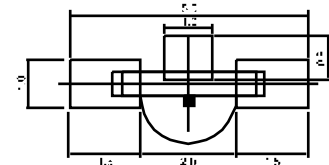
### 3.2mmx1.0mm SMD, 1.5mm THICKNESS

Part No	Emit Color	λ P (nm)	Water Clear	Min	Typ.	110
BL-LS1204UJR	Ultra Red	655		15	48	
BL-LS1204UIR	Ultra Red	645	10	60		
BL-LS1204UOC	Ultra Orange	630	20	70		
BL-LS1204UOD	Ultra Orange	618	10	55		
BL-LS1204UYG	Ultra Amber	610	30	90		
BL-LS1204UYC	Ultra Yellow	593	15	60		
BL-LS1204UGC	Ultra Green	575	15	50		
BL-LS1204PGC	Ultra Pure Green	525	50	105		
BL-LS1204BGC	Ultra Bluish Green	515	50	90		
BL-LS1204DNB	Blue	470	10	50		
BL-LS1204UBC	Ultra Blue	470	10	40		
BL-LS1204UWC	Ultra White		40	190		

### BL-LS1204 Package Outline Drawing



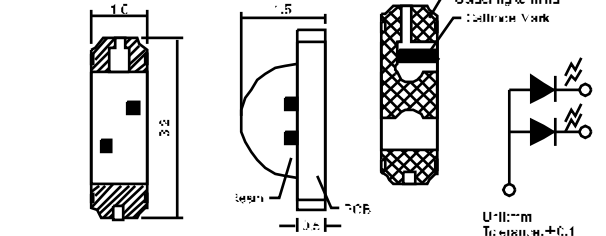
### Recommended Soldering Pad Dimensions



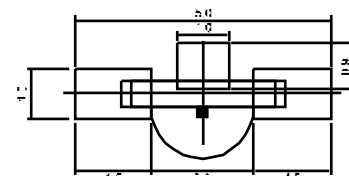
### 3.2mmx1.0mm SMD, 1.5mm THICKNESS, Bi-color type

Part No	Emit Color	λ P (nm)	Water Clear	Min	Typ.	110
BL-LS120VSGC	Red	660		5	10	
	Green	568	6	15		
BL-LS120VEGC	Orange	640	4	10		
	Green	568	6	15		
BL-LS1204UYUGC	Ultra Yellow	593	15	60		
	Ultra Green	575	15	50		
BL-LS1204UFUGC	Ultra Orange	645	10	60		
	Ultra Green	575	15	50		

### BL-LS1204XX Package Outline Drawing



### Recommended Soldering Pad Dimensions



All dimensions are in millimeters (inches)  
Tolerance is ±0.25(0.01") unless otherwise noted.  
Specifications are subject to change without notice.

## LED Component

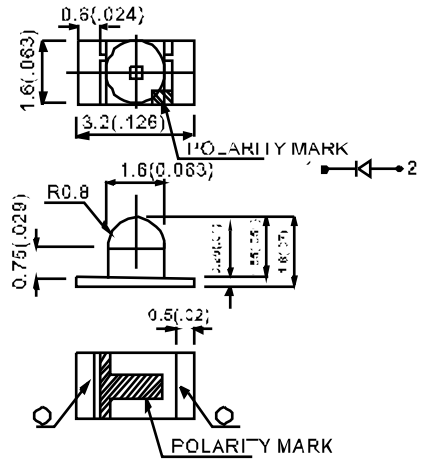
### SMD LED LAMP

Part No	Emit Color	λ P (nm)	Lens Type	Iv(mcd)		Viewing Angle 201/2	Drawing
				Min	Typ.		

### 3.2mmx1.6mm SMD, 1.8mm THICKNESS with Round Lends, SMD LED

Part No	Emit Color	λ P (nm)	Water/Clear	Min	Typ.	Quantity
BL-LS1206RUEC	Ultra Orange	630	Water/Clear	50	400	50
BL-LS1206RUYO	Ultra Amber	610		40	180	
BL-LS1206RUYC	Ultra Yellow	593		90	200	
BL-LS1206RUGC	Ultra Green	575		45	120	
BL-LS1206RPGC	Ultra Pure Green	525		500	500	
BL-LS1206RUBC	Ultra Blue	470		80	200	
BL-LS1206RUWC	Ultra White	/		200	800	

### BL-LS1206R

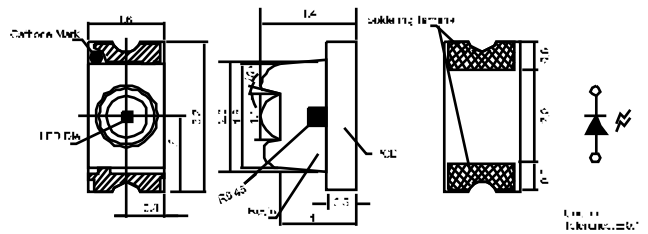


### 3.2mmx1.6mm SMD, 1.4mm THICKNESS

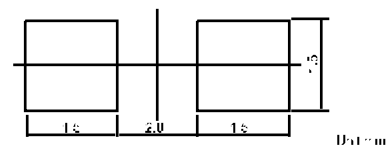
Part No	Emit Color	λ P (nm)	Water/Clear	Min	Typ.	Quantity
BL-LS1206VUDR	Ultra Red	655	Water/Clear	100	220	30
BL-LS1206VUIR	Ultra Red	645		120	300	
BL-LS1206VUEC	Ultra Orange	630		150	330	
BL-LS1206VUHD	Ultra Orange	618		250	580	
BL-LS1206VUYO	Ultra Amber	610		200	370	
BL-LS1206VUYC	Ultra Yellow	593		120	270	
BL-LS1206VUGC	Ultra Green	575		60	130	
BL-LS1206VPGC	Ultra Pure Green	525		100	280	
BL-LS1206VBGC	Ultra Bluish Green	505		220	400	
BL-LS1206VDNB	Blue	470		30	90	
BL-LS1206VUBC	Ultra Blue	470		55	125	
BL-LS1206VUWC	Ultra White	/		200	400	

### BL-LS1206V

#### Package Outline Drawing



#### Recommended Soldering Pad Dimensions

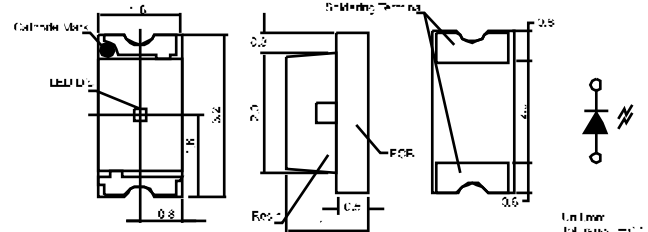


### 3.2mmx1.6mm SMD, 1.1mm THICKNESS

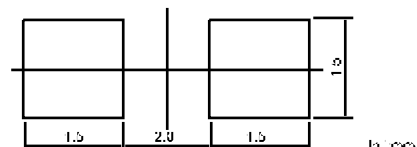
Part No	Emit Color	λ P (nm)	Water/Clear	Min	Typ.	Quantity
BL-LS1206UDR	Ultra Red	655	Water/Clear	22	55	140
BL-LS1206UIR	Ultra Red	645		30	80	
BL-LS1206UEC	Ultra Orange	630		30	80	
BL-LS1206UHD	Ultra Orange	618		50	110	
BL-LS1206UYO	Ultra Amber	610		25	65	
BL-LS1206UYC	Ultra Yellow	593		25	70	
BL-LS1206UGC	Ultra Green	575		15	45	
BL-LS1206PGC	Ultra Pure Green	525		15	100	
BL-LS1206VGC	Ultra Bluish Green	505		30	110	
BL-LS1206DNB	Blue	470		15	40	
BL-LS1206UBC	Ultra Blue	470		10	30	
BL-LS1206UWC	Ultra White	/		100	270	

### BL-LS1206

#### Package Outline Drawing



#### Recommended Soldering Pad Dimensions



All dimensions are in millimeters (inches)  
Tolerance is ±0.25(0.01") unless otherwise noted.  
Specifications are subject to change without notice.

# LED Component

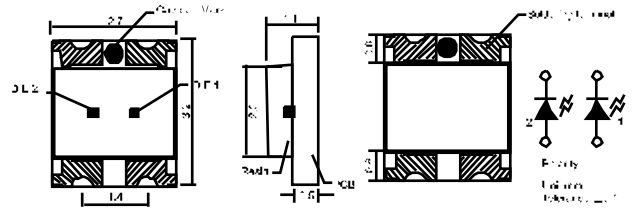
## SMD LED LAMP

Part No	Emit Color	λ P (nm)	Lens Type	Iv(mcd)		Viewing Angle 201/2	Drawing
				Min	Typ.		

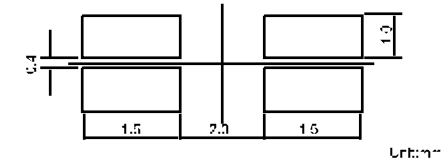
### 3.2mmx2.7mm SMD, 1.1mm THICKNESS

Part No	Emit Color	λ P (nm)	Lens Type	Min	Typ.	Viewing Angle
BL-LS1210SDC	Red	660		Water	5	
	Green	568	6		15	
BL-LS1210EBC	Orange	640	Clear	4	8	130
	Green	568		6	15	
BL-LS1210UYUGC	Ultra Yellow	593	Water	20	70	130
	Ultra Green	575		15	45	
BL-LS1210UEUGC	Ultra Orange	615	Clear	22	80	130
	Ultra Green	575		15	45	

### BL-LS1210 Package Outline Drawing



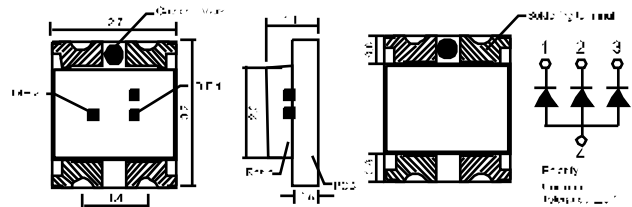
### Recommended Soldering Pad Dimensions



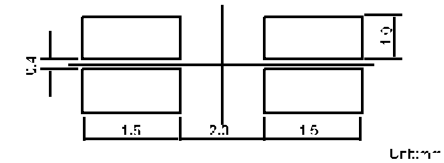
### 3.2mmx2.7mm SMD, 1.1mm THICKNESS, RGB type

Part No	Emit Color	λ P (nm)	Lens Type	Min	Typ.	Viewing Angle
BL-LS1210RGB	Red	660		Water	5	
	Green	568	6		14	
	Blue	470	10		18	
BL-LS1210JRGBDC	Ultra Orange	615	Clear	40	55	120
	Ultra Green	574		35	50	
	Ultra Blue	470		20	28	

### BL-LS1210RGB Package Outline Drawing



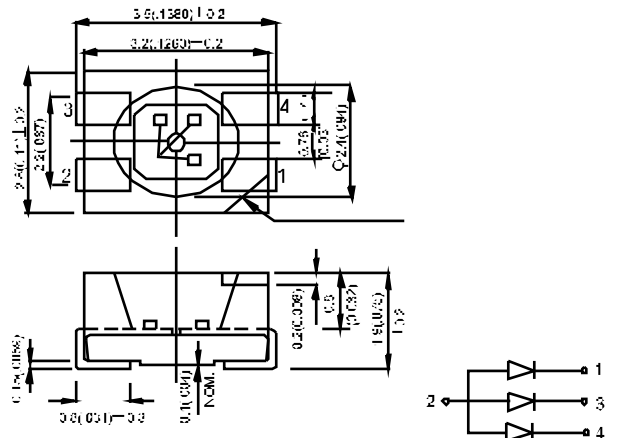
### Recommended Soldering Pad Dimensions



### 3.5mmx2.8mm SMD, 1.9mm THICKNESS PLCC4 package

Part No	Emit Color	λ P (nm)	Lens Type	Min	Typ.	Viewing Angle
BL-LS1311UEC-3	Ultra Orange	630		Water	400	
BL-LS1311UYG-3	Ultra Amber	610	300		800	
BL-LS1311UYC-3	Ultra Yellow	593	Clear	600	800	120
BL-LS1311UGC-3	Ultra Green	575		25	50	
BL-LS1311PGC-3	Ultra Pure Green	525	Water	700	1000	120
BL-LS1311UBC-3	Ultra Blue	470		400	700	
BL-LS1311UWC-3	Ultra White		Clear	1000	1500	120

### BL-LS1311-3



All dimensions are in millimeters (inches)  
Tolerance is ±0.25(0.01") unless otherwise noted.  
Specifications are subject to change without notice.

# LED Component

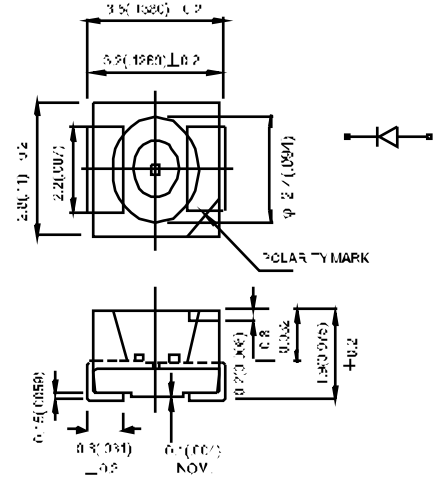
## SMD LED LAMP

Part No	Emit Color	λ P (nm)	Lens Type	Iv(mcd)		Viewing Angle 2θ1/2	Drawing
				Min	Typ.		

3.5mmx2.8mm SMD, 1.9mm THICKNESS PLCC2 package

Part No	Emit Color	λ P (nm)	Lens Type	Iv(mcd) Min	Iv(mcd) Typ.	Viewing Angle 2θ1/2
BL-LS1311UEC	Ultra Orange	630	Water	180	380	120
BL-LS1311UYO	Ultra Amber	610		50	160	
BL-LS1311UYC	Ultra Yellow	593	Clear	200	400	
BL-LS1311UGC	Ultra Green	575		28	50	
BL-LS1311PGC	Ultra Pure Green	525	200	500		
BL-LS1311UBC	Ultra Blue	470	100	200		
BL-LS1311UWC	Ultra White		280	500		

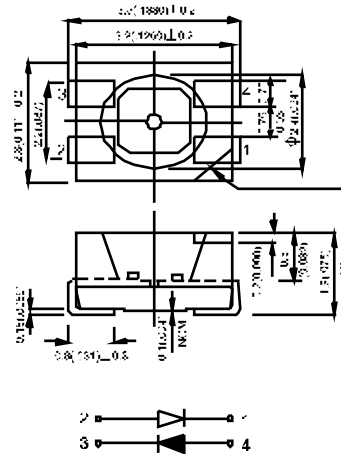
BL-LS1311



3.5mmx2.8mm SMD Bi-Color, 1.9mm THICKNESS PLCC4 package

Part No	Emit Color	λ P (nm)	Lens Type	Iv(mcd) Min	Iv(mcd) Typ.	Viewing Angle 2θ1/2
BL-LS1311EGC	Orange	610	Water	50	80	120
	Green	565		28	50	
BL-LS1311UYUCC	Ultra Yellow	590	Clear	50	120	
	Ultra Green	575		50	80	
BL-LS1311UEUCC	Ultra Orange	623	110	180		
	Ultra Green	575	50	80		

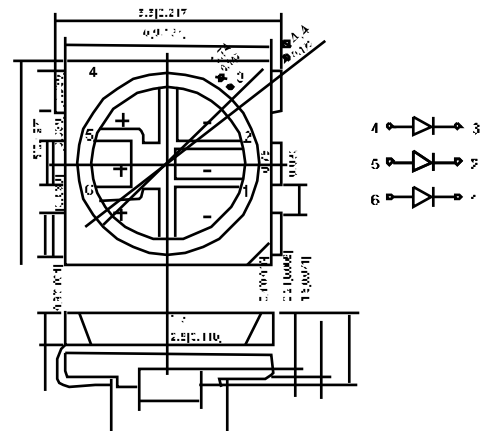
BL-LS1311EG



5.5mmx5.0mm SMD, 1.8mm THICKNESS PLCC6 package

Part No	Emit Color	λ P (nm)	Lens Type	Iv(mcd) Min	Iv(mcd) Typ.	Viewing Angle 2θ1/2
BL-LS1923RGBC	Red	660	Water	110	180	100
	Green	574		28	50	
	Blue	470		70	120	
BL-LS1923JRUCLDC	Ultra Red	630	Clear	180	380	
	Ultra Pure Green	525		200	400	
	Ultra Blue	470		110	220	

BL-LS1923



All dimensions are in millimeters (inches)  
Tolerance is ±0.25(0.01") unless otherwise noted.  
Specifications are subject to change without notice.